



4700 W. 160th St.
Cleveland, Ohio 44135
Ph: (800) 321-9532
Fax: (800) 321-9535
www.oatey.com

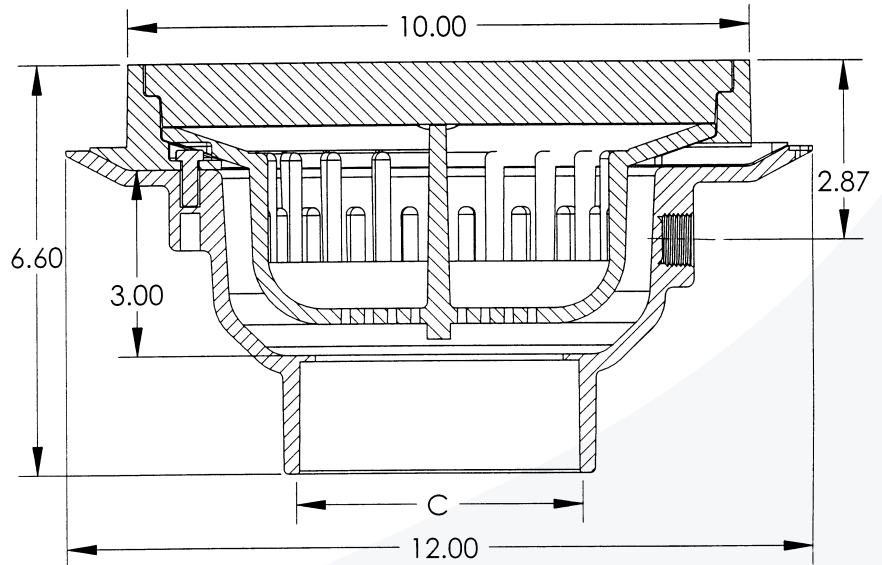
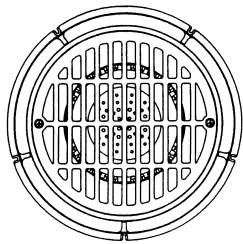
76000 Series PVC Sediment Drains



SUBMITTAL SPECIFICATION

Engineering Specification: Commercial grade multipurpose drain for effective effluent removal in any application. Optional removable sediment bucket will keep drain lines free of all debris. Available with cast iron and PVC grate assemblies.

Job Reference



(All dimensions in inches)

- Barrel diameter is 3-1/2 in. IPS thread.
- Primer tap knock-out is 1/2 in. FIP thread.

✓	Socket Size (C)	Base Material	Grate Material	Sediment Bucket	Part Number
	2 in.*	PVC	Plastic	With	76012
	2 in.*	PVC	Plastic	Without	76022
	2 in.*	PVC	Cast Iron	With	76032
	2 in.*	PVC	Cast Iron	Without	76042
	3 in.	PVC	Plastic	With	76013
	3 in.	PVC	Plastic	Without	76023
	3 in.	PVC	Cast Iron	With	76033
	3 in.	PVC	Cast Iron	Without	76043
	4 in.	PVC	Plastic	With	76014
	4 in.	PVC	Plastic	Without	76024
	4 in.	PVC	Cast Iron	With	76034
	4 in.	PVC	Cast Iron	Without	76044
	6 in.	PVC	Plastic	With	76016
	6 in.	PVC	Plastic	Without	76026
	6 in.	PVC	Cast Iron	With	76036
	6 in.	PVC	Cast Iron	Without	76046

*2 in. base includes 3 in. x 2 in. bushing.

Grate Properties		
Finish	Open Area	Load*
Plastic	32.50 in. ²	Light
Cast Iron	32.50 in. ²	Medium

*Load is defined by ASME A112.21.1M.

Light Duty – Safe live load under 2000 lbs.

Medium Duty – Safe live load between 2000 lbs. and 4999 lbs.



4700 W. 160th St.
Cleveland, Ohio 44135
Ph: (800) 321-9532
Fax: (800) 321-9535
www.oatey.com

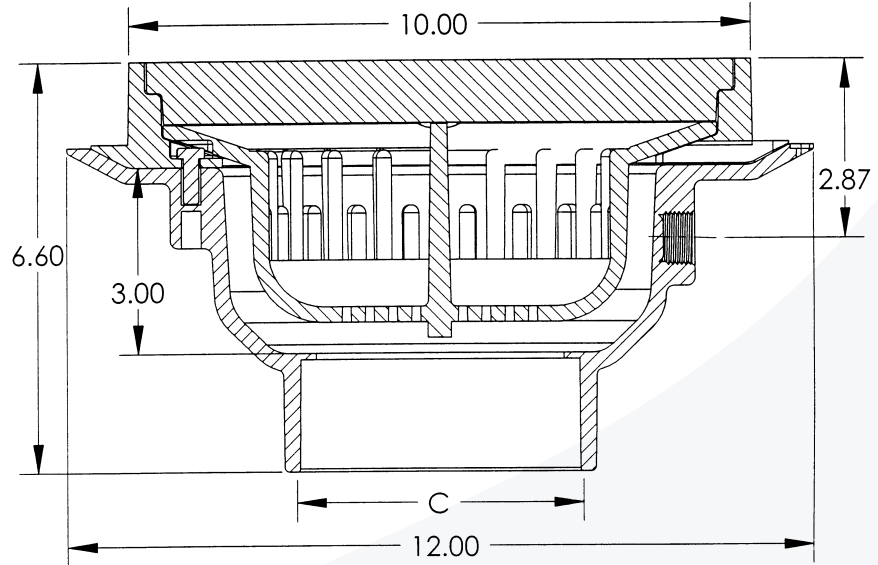
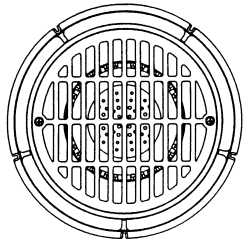
86000 Series ABS Sediment Drains



SUBMITTAL SPECIFICATION

Engineering Specification: Commercial grade multipurpose drain for effective effluent removal in any application. removable sediment bucket will keep drain lines free of all debris. Available with cast iron and PVC grate assemblies.

Job Reference



(All dimensions in inches)

- Barrel diameter is 3-1/2 in. IPS thread.
- Primer tap knock-out is 1/2 in. FIP thread.

✓	Socket Size (C)	Base Material	Grate Material	Sediment Bucket	Part Number
	2 in.*	ABS	Plastic	With	86012
	2 in.*	ABS	Plastic	Without	86022
	2 in.*	ABS	Cast Iron	With	86032
	2 in.*	ABS	Cast Iron	Without	86042
	3 in.	ABS	Plastic	With	86013
	3 in.	ABS	Plastic	Without	86023
	3 in.	ABS	Cast Iron	With	86033
	3 in.	ABS	Cast Iron	Without	86043
	4 in.	ABS	Plastic	With	86014
	4 in.	ABS	Plastic	Without	86024
	4 in.	ABS	Cast Iron	With	86034
	4 in.	ABS	Cast Iron	Without	86044
	6 in.	ABS	Plastic	With	86016
	6 in.	ABS	Plastic	Without	86026
	6 in.	ABS	Cast Iron	With	86036
	6 in.	ABS	Cast Iron	Without	86046

*2 in. base includes 3 in. x 2 in. bushing.

Grate Properties		
Finish	Open Area	Load*
Plastic	32.50 in. ²	Light
Cast Iron	32.50 in. ²	Medium

*Load is defined by ASME A112.21.1M.

Light Duty – Safe live load under 2000 lbs.

Medium Duty – Safe live load between 2000 lbs. and 4999 lbs.